

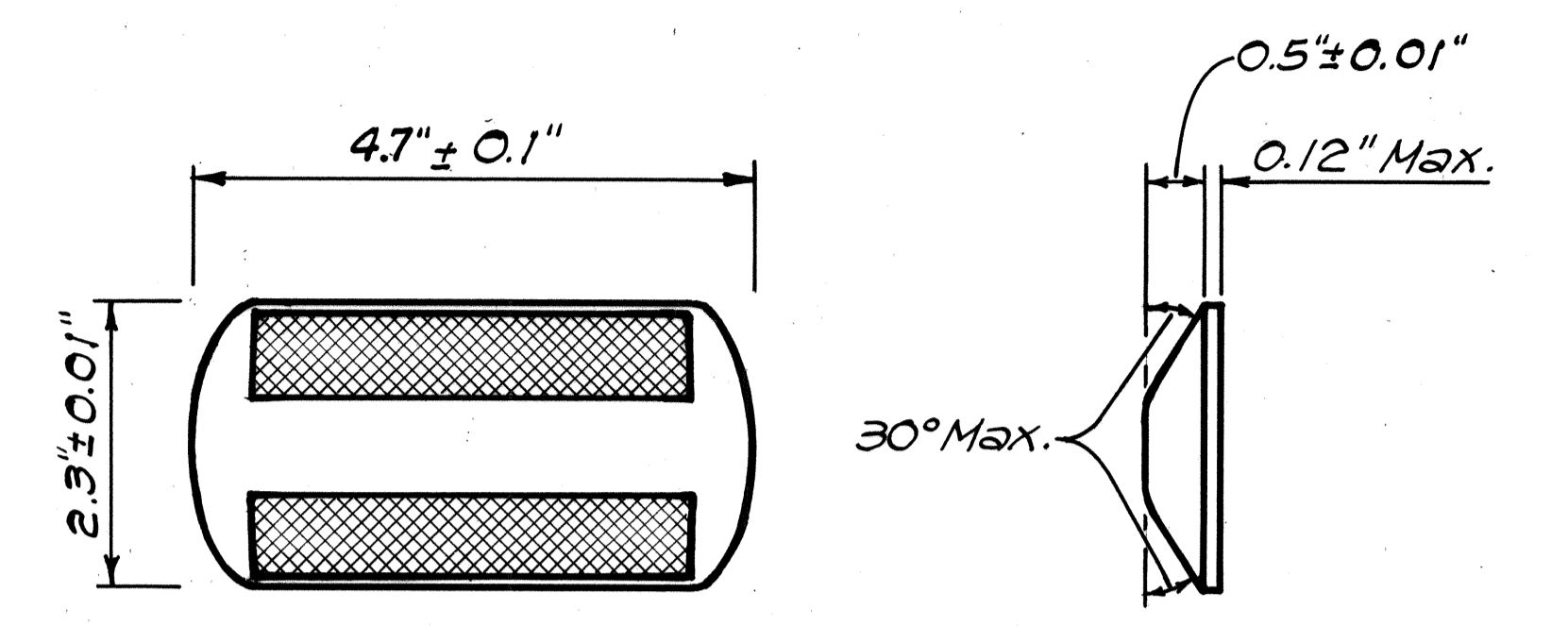
**LEGEND**

- 4 each Type A Raised Pavement Markers  
Type CL Raised Pavement Markers @ 40'-0" o.c.
- 4 each Type J Raised Pavement Markers  
Type DL Raised Pavement Markers @ 40'-0" o.c.
- 8" White Stripe with Type CL Raised Pavement Markers @ 20'-0" o.c.
- 4" Double Solid Yellow Stripes with Type DL Raised Pavement Markers @ 20'-0" o.c.
- 4" Double Solid Yellow Stripes with Type HL Raised Pavement Markers @ 20'-0" o.c.
- 4" Yellow Edge Stripe with Type HL Raised Pavement Markers @ 40'-0" o.c.
- 4" Double Solid White Stripes with Type CL Raised Pavement Markers @ 20'-0" o.c.
- Lane Change Restriction Marking  
4 each Type A Raised Pavement Markers  
Type CL Raised Pavement Markers @ 20'-0" o.c.  
4" White Stripe
- 4" White Edge Stripe
- 4" White or Yellow Guide Lines
- Transverse Median Marking
- Transverse Shoulder Marking
- Channelizing Island or Deceleration Lane Gore
- Crosswalk and Stop Line. All Stop Lines shall be 5'-0" from Crosswalk unless otherwise noted. The circled number indicates the number of lanes for payment.
- Pavement Arrow
- STOP Pavement Word
- Extension of Edge Line, 4" wide x 2'-0" long  
White Stripe @ 10'-0" o.c. with Type CL Raised Pavement Markers @ 40'-0" o.c.
- RM-1 Reflector Marker with Metal Post shall be installed behind guardrail. All other RM-1 Reflector Marker installations shall be with Flexible Posts.
- RM-3 Reflector Marker with Flexible Post

**NOTES**

1. Layout of pavement markings and striping shall be done by the Contractor and approved by the Engineer prior to any installation work.
2. Existing pavement markings not incorporated in the final traffic pattern shall be removed as directed by the Engineer. Costs shall be incidental to the various pavement marking items.
3. Raised pavement markers shall not be installed within crosswalks.
4. Details of Type C, Type D and Type H Markers on Standard Plan Nos. TE-30, TE-31 and TE-32 shall be deleted and replaced with details of Type CL, Type DL and Type HL Markers as shown on this sheet. All references to Type C, Type D and Type H Markers in the plans shall mean Type CL, Type DL and Type HL Markers.
5. Final locations of all signs shall be approved by the Engineer prior to any installation work.
6. All pavement striping, including pavement arrows, crosswalks and stop bars, shall be paint.
7. For pavement striping and markings at Olowalu Section, see schedule on this sheet. For pavement striping and markings at Kaanapali Section, see Plan Sht. Nos. 15-18.
8. The Contractor shall reference all existing pavement markings prior to resurfacing. Final placement of the new pavement markings shall be as approved by the Engineer. Payment for this shall be considered incidental to new pavement markers and striping. For installation of Pavement Markers and Striping, see Standard Plan TE-30.
9. Existing signs not shown on these plans shall remain as posted unless otherwise directed by the Engineer. Removal of existing signs and/or posts as designated on these plans shall be incidental to Item No. 621.5100.

FED. ROAD DIST. NO.	STATE	PROJ. NO.	FISCAL YEAR	SHEET NO.	TOTAL SHEETS
HAWAII	HAW.	30AC-01-87M 30A-01-87	1987	14	18



**TYPE CL**  
Red-Clear Reflective Marker  
or  
**TYPE DL**  
Two-Way Yellow Reflective Marker  
or  
**TYPE HL**  
One-Way Yellow Reflective Marker  
Not to Scale

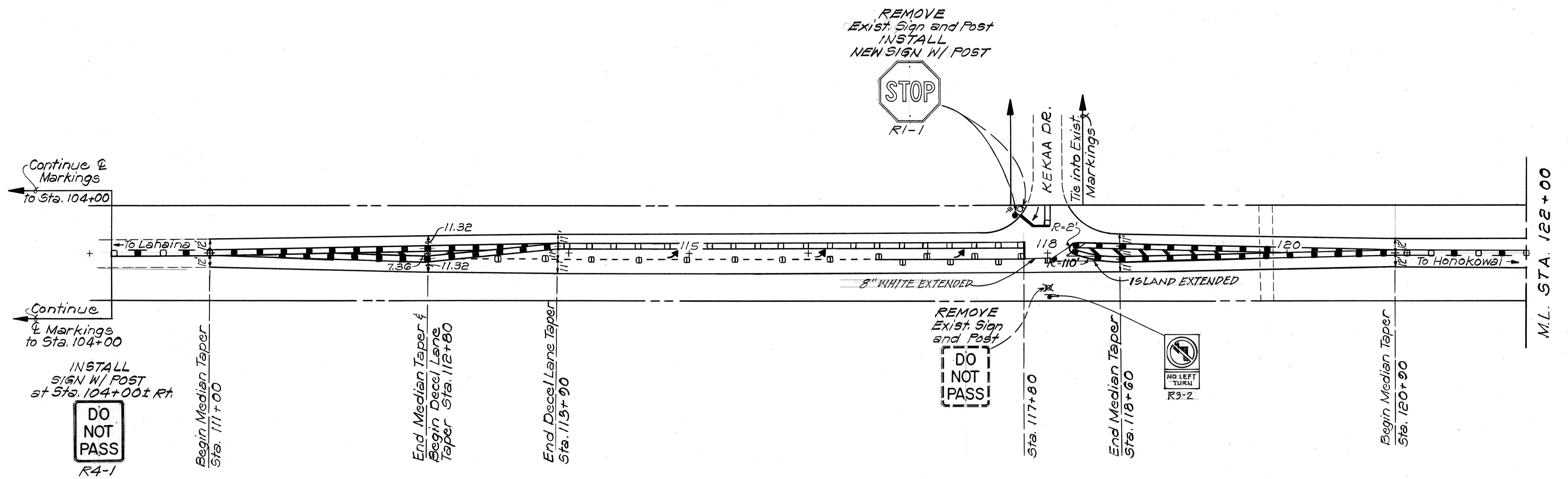
LOCATION	PAVEMENT STRIPING		PAVEMENT MARKERS	
	DOUBLE 4" YELLOW (Lin. Ft.)	E.P. STRIPING 4" WHITE (Lin. Ft.)	TYPE DL (Each)	TYPE J (Each)
33+00 - 43+75	1,075	2,150	55	
43+75 - 44+08		35		
44+08 - 54+80	1,075	2,145	55	
54+80 - 77+00		4,440	57	224
Sub-Totals	2,150	8,770	167	224
TOTALS	10,920		167	224

SURVEY PLOTTED BY \_\_\_\_\_ DATE \_\_\_\_\_  
 DRAWN BY \_\_\_\_\_  
 DESIGNED BY \_\_\_\_\_  
 QUANTITIES BY \_\_\_\_\_  
 CHECKED BY \_\_\_\_\_  
 ORIGINAL PLAN No. \_\_\_\_\_  
 NOTE BOOK No. \_\_\_\_\_

STATE OF HAWAII  
 DEPARTMENT OF TRANSPORTATION  
 HIGHWAYS DIVISION  
**LEGEND, NOTES, DETAIL  
 AND SCHEDULE**  
 HONOAPILANI HWY. RESURFACING  
 AND GUARDRAIL & SHOULDER IMPR.  
 PROJ. NOS. 30AC-01-87M & 30A-01-87  
 Not to Scale Date: May, 1987  
 SHEET No. 1 OF 5 SHEETS

FED. ROAD DIST. NO.	STATE	PROJ. NO.	FISCAL YEAR	SHEET NO.	TOTAL SHEETS
HAWAII	HAW.	30AC-01-87M 30A-01-87	1987	15	18

True North  
Scale: 1"=40'



SURVEY PLOTTED BY	DATE
DRAWN BY	
TRACED BY	
QUANTITIES BY	
CHECKED BY	
ORIGINAL PLAN	
NOTE BOOK	
No.	

STATE OF HAWAII  
DEPARTMENT OF TRANSPORTATION  
HIGHWAYS DIVISION

**SIGNING AND PAYEMENT  
MARKING PLAN**

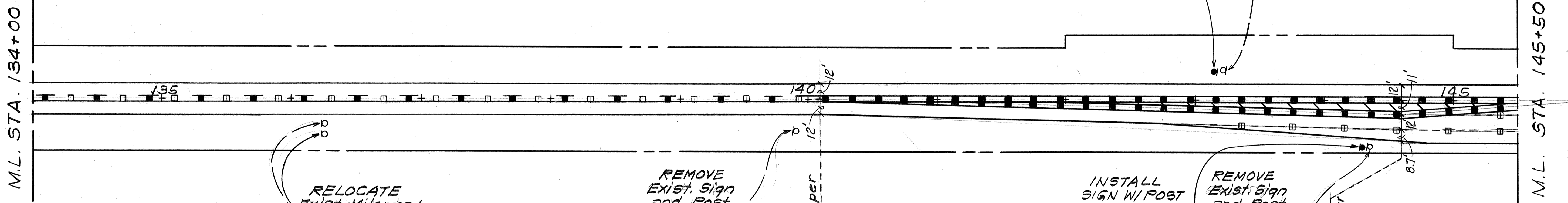
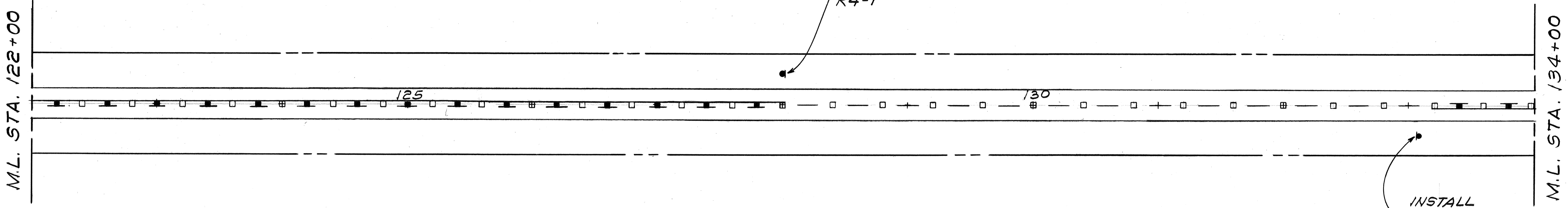
HONOAPILANI HWY. RESURFACING  
AND GUARDRAIL & SHOULDER IMPR.  
PROJ. NOS. 30AC-01-87M & 30A-01-87  
Scale: 1"=40' Date: May, 1987

SHEET No. 2 OF 5 SHEETS

FED. ROAD DIST. NO.	STATE	PROJ. NO.	FISCAL YEAR	SHEET NO.	TOTAL SHEETS
HAWAII	HAW.	30AC-01-87M 30A-01-87	1987	16	18

True North  
Scale: 1" = 40'

True North  
Scale: 1" = 40'



STATE OF HAWAII  
DEPARTMENT OF TRANSPORTATION  
HIGHWAYS DIVISION

**SIGNING AND PAVEMENT MARKING PLAN**

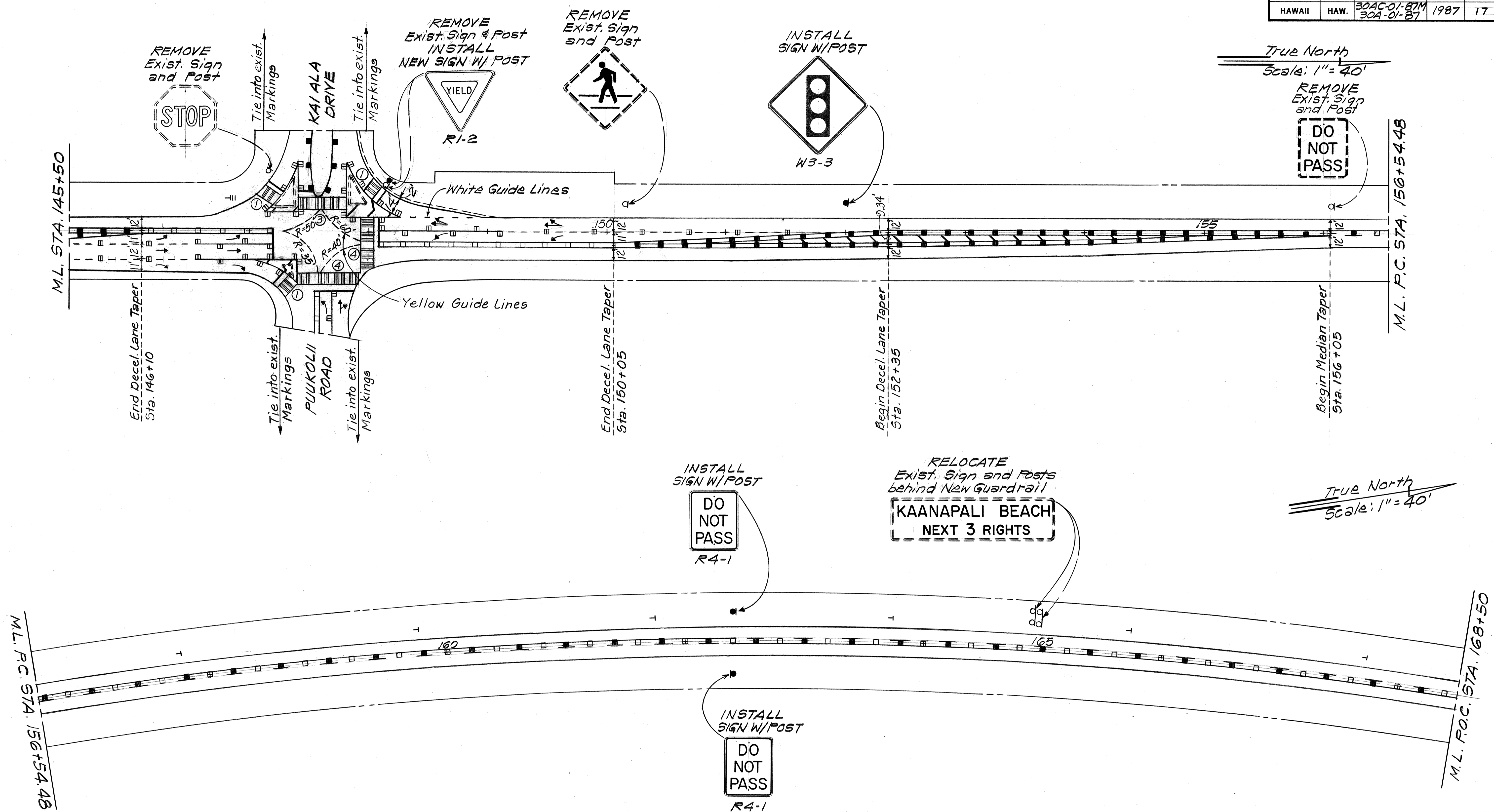
HONOAPILANI HWY. RESURFACING AND GUARDRAIL & SHOULDER IMPR.  
PROJ. NOS. 30AC-01-87M & 30A-01-87

Scale: 1" = 40' Date: May, 1987

SHEET No. 3 OF 5 SHEETS

SURVEY PLOTTED BY	DATE
DRAWN BY	
DESIGNED BY	
QUANTITIES BY	
CHECKED BY	
ORIGINAL PLAN	No.

FED. ROAD DIST. NO.	STATE	PROJ. NO.	FISCAL YEAR	SHEET NO.	TOTAL SHEETS
HAWAII	HAW.	30AC-01-87M 30A-01-87	1987	17	18



ORIGINAL PLAN	DATE
SURVEY PLOTTED BY	
DRAWN BY	
DESIGNED BY	
QUANTITIES BY	
CHECKED BY	
No.	

STATE OF HAWAII  
DEPARTMENT OF TRANSPORTATION  
HIGHWAYS DIVISION

**SIGNING AND PAVEMENT MARKING PLAN**

HONOPILANI HWY. RESURFACING AND GUARDRAIL & SHOULDER IMPR.  
PROJ. NOS. 30AC-01-87M & 30A-01-87

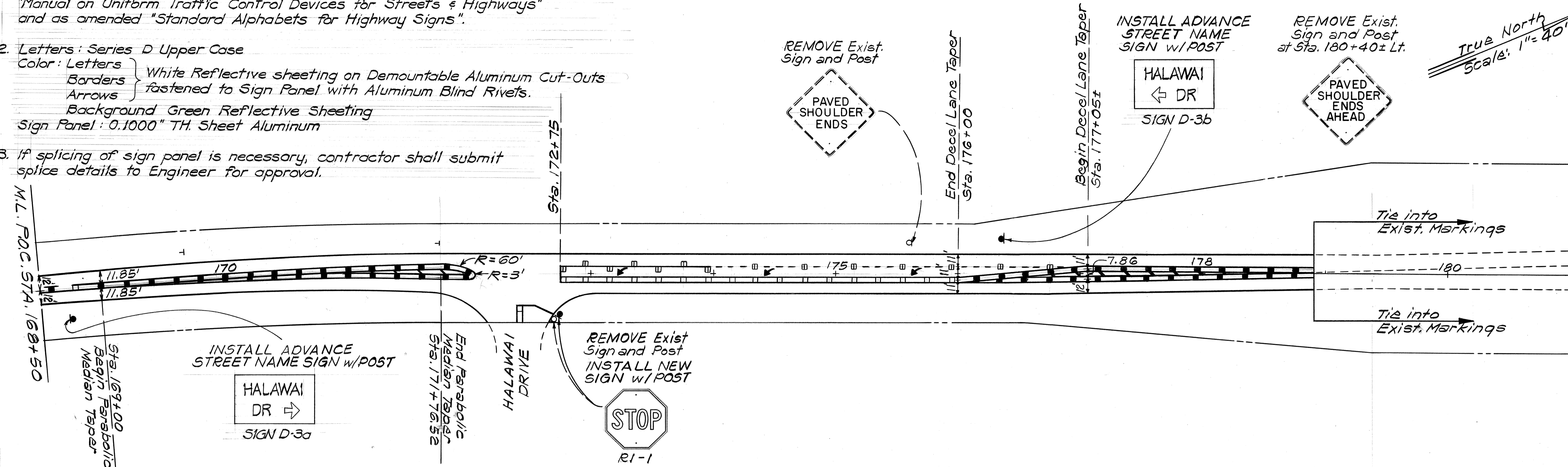
Scale: 1" = 40' Date: May, 1987

SHEET No. 4 OF 5 SHEETS

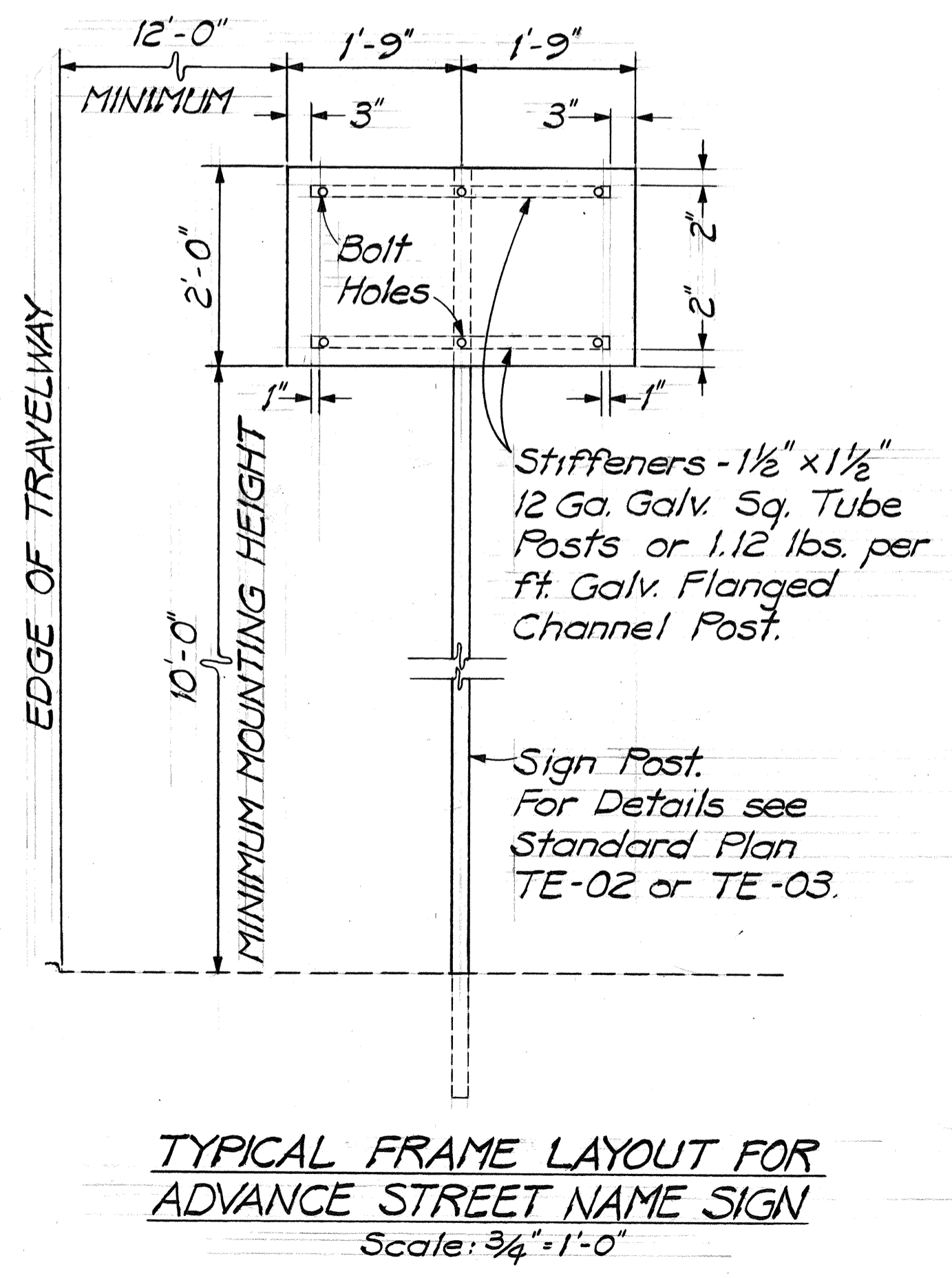
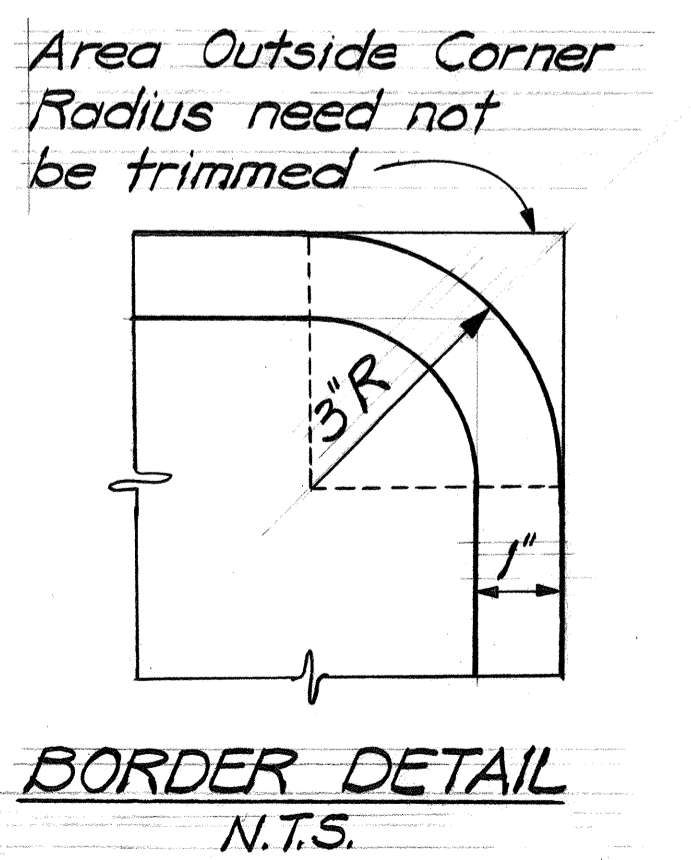
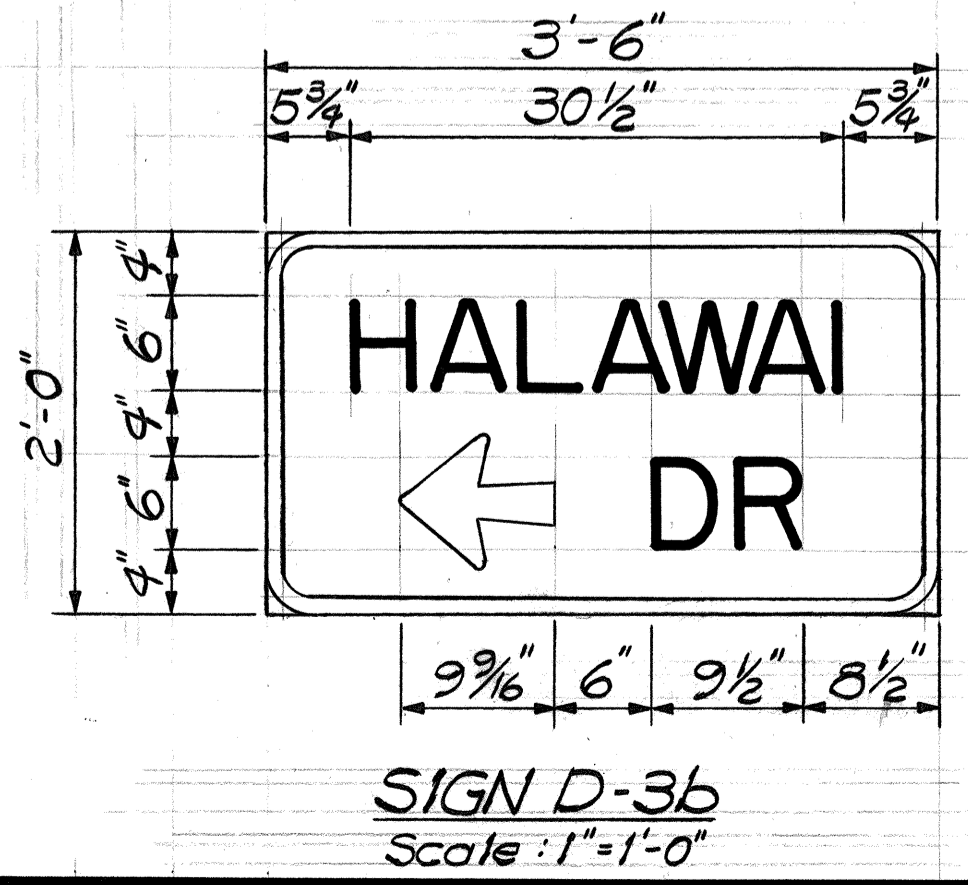
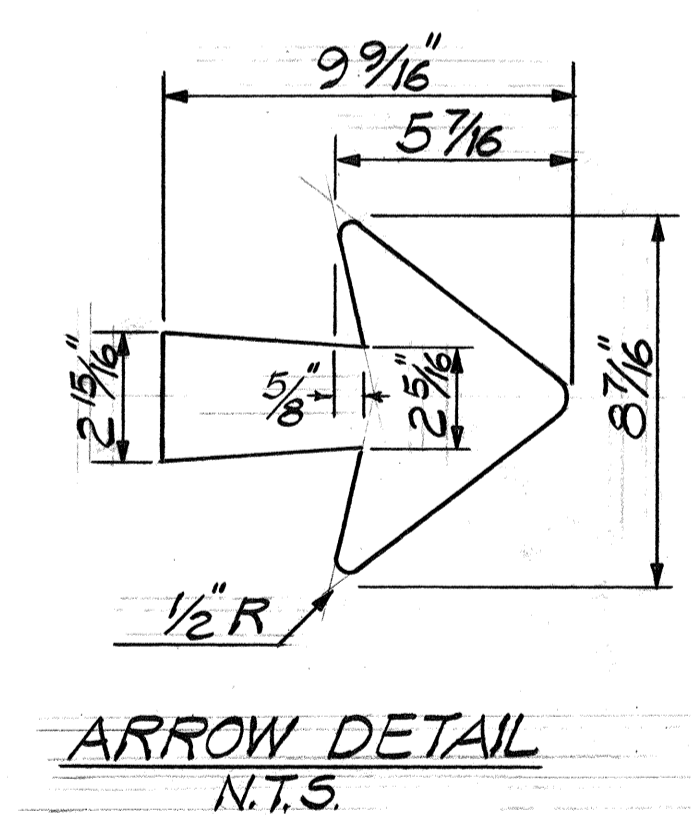
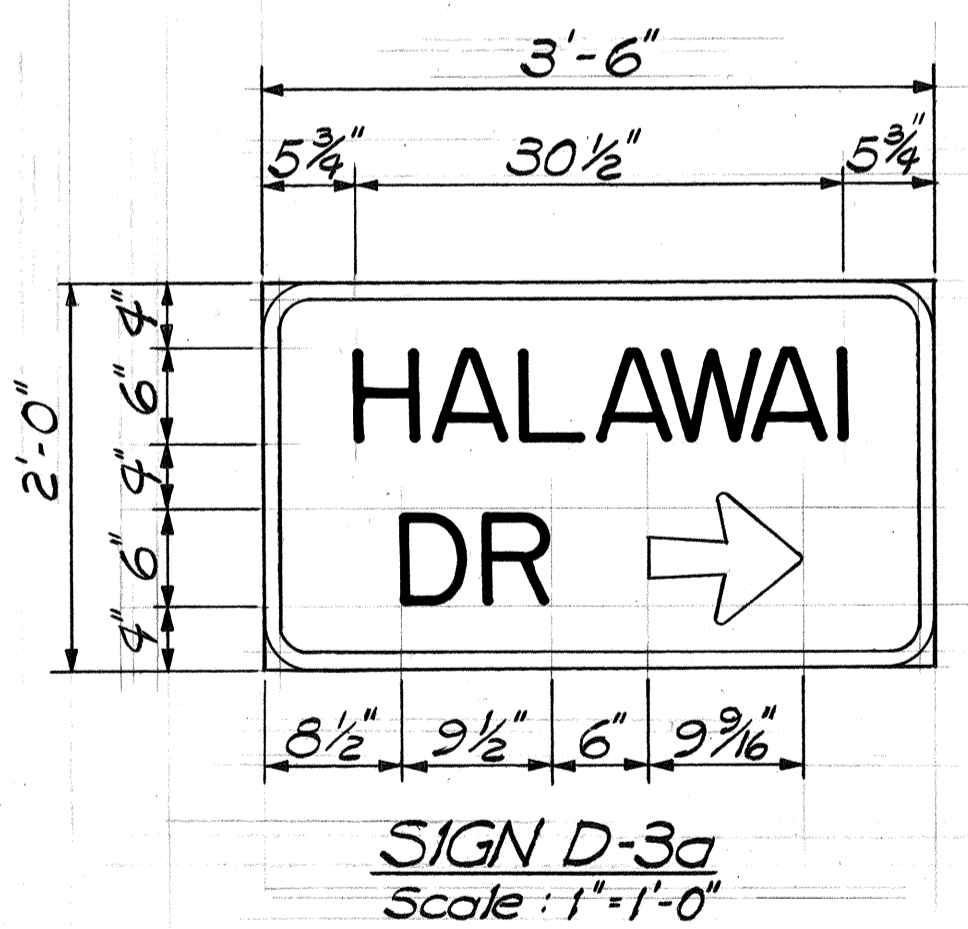
**STREET NAME SIGN NOTES**

- Street name signs (D-3a & D-3b) shall conform to the latest FHWA Publications "Manual on Uniform Traffic Control Devices for Streets & Highways" and as amended "Standard Alphabets for Highway Signs".
- Letters: Series D Upper Case  
 Color: Letters } White Reflective sheeting on Demountable Aluminum Cut-Outs  
 Borders } fastened to Sign Panel with Aluminum Blind Rivets.  
 Arrows }  
 Background Green Reflective Sheeting  
 Sign Panel: 0.1000" TH. Sheet Aluminum
- If splicing of sign panel is necessary, contractor shall submit splice details to Engineer for approval.

FED. ROAD DIST. NO.	STATE	PROJ. NO.	FISCAL YEAR	SHEET NO.	TOTAL SHEETS
HAWAII	HAW.	30AC-01-87M 30A-01-87	1987	18	18



True North  
Scale: 1" = 40'



DATE	
SURVEY PLOTTED BY	
DRAWN BY	
TRACED BY	
QUANTITIES BY	
CHECKED BY	
ORIGINAL PLAN	
NO.	

STATE OF HAWAII  
DEPARTMENT OF TRANSPORTATION  
HIGHWAYS DIVISION

**SIGNING AND PAVEMENT MARKING PLAN**

HONOAPILANI HWY. RESURFACING AND GUARDRAIL & SHOULDER IMPR.  
PROJ. NOS. 30AC-01-87M & 30A-01-87  
Scale: 1" = 40' Date: May, 1987  
SHEET No. 5 OF 5 SHEETS